

Letter Boxes

LETTER BOXES USPS access or PRIVATE access

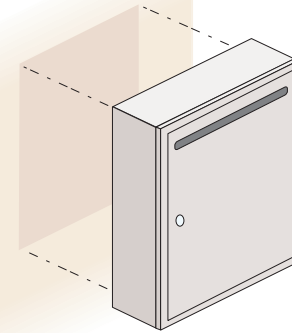
Made of sheet and extruded aluminum, Salsbury letter boxes are available in a standard size (#2240 and #2245) and a slim size (#2260 and #2265). Both sizes are available as surface mounted or recessed mounted units. Standard and slim letter boxes feature a durable powder coated finish available in five (5) contemporary colors. The doors are constructed of heavy duty 1/4" thick aluminum and are accessed from the front. Custom engraving (#2266) and plexiglass windows (#2273) are available as options upon request. Standard letter boxes are ideal for apartments, condominiums, commercial buildings, offices and many other applications.

Volume Discount Pricing Available On-Line!

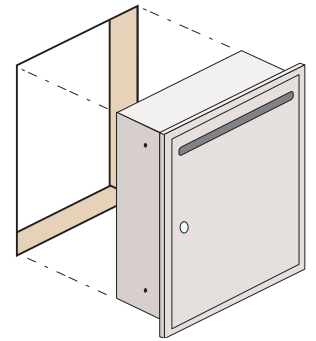
SAMPLE INSTALLATION

Models displayed:

- (1) 2240
- (1) 2245



2240



2245

SURFACE MOUNTED

Surface mounted units mount directly to a flat surface and are secured with mounting hardware (not included) through the back panel.

RECESSED MOUNTED

Recessed mounted units fit into a rough opening and are secured with mounting hardware (not included) through the back or side panels. A fully integrated 3/4" flanged collar fits over the rough opening.

Note: Sample installation also applies to #2260 and #2265



Recessed letter boxes (#2245) and mail drops (#2255 - see pages 48-49) with optional custom engraving - black filled (#2266) displayed



SURFACE MOUNTED

RECESSED MOUNTED



2240



2260



2245



2265

DESCRIPTION

2240^{1,2} - Surface Mounted Letter Box - Standard

UNIT SIZE

15" W x 19" H x 7-1/2" D

Mail slot: 11-1/2" W x 3/4" H

WEIGHT

20 lbs.

DESCRIPTION

2260¹ - Surface Mounted Letter Box - Slim

UNIT SIZE

11" W x 19" H x 3-3/4" D

Mail slot: 7-1/2" W x 3/4" H

WEIGHT

15 lbs.

DESCRIPTION

2245^{1,2} - Recessed Mounted Letter Box - Standard

UNIT SIZE

15" W x 19" H x 6-3/4" D

Rough opening:
13-3/4" W x 17-3/4" H x 6-3/4" D
Mail slot: 11-1/2" W x 3/4" H

WEIGHT

20 lbs.

DESCRIPTION

2265¹ - Recessed Mounted Letter Box - Slim

UNIT SIZE

11" W x 19" H x 3-1/2" D

Rough opening:
9-1/2" W x 17-3/4" H x 3-1/2" D
Mail slot: 7-1/2" W x 3/4" H

WEIGHT

15 lbs.

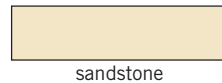
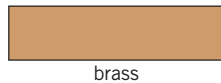
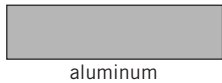
PRICE
\$175.00

PRICE
\$150.00

PRICE
\$175.00

PRICE
\$150.00

¹ Specify



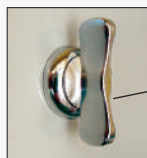
² Specify

- For U.S.P.S. access
- For private access (order commercial lock #2246 for #2240 and #2245)

Note: #2260 and #2265 are available in private access only and include commercial lock.



#2240 surface mounted unit in aluminum finish displayed



MAIL SLOT (STANDARD)

Standard letter boxes feature an 11-1/2" W x 3/4" H mail slot. Slim letter boxes feature a 7-1/2" W x 3/4" H mail slot. Doors are available without slots as an option upon request.

CUSTOM SLOT (OPTION - #2249)

Slot sizes as specified can be customized to meet your requirements. \$20.00

CUSTOM ENGRAVING (OPTION - #2266)

Custom engraving (specify regular or black filled) is available as an option upon request. Examples are: OUTGOING MAIL, MAIL, U.S. MAIL, PAYMENTS, LETTERS, KEYS, SUGGESTION BOX, OFFICE, RENT DROP or as specified. \$20.00

PLEXIGLASS WINDOW (OPTION - #2273)

A 2" W x 10" H plexiglass window is available as an option upon request. This option should not be ordered for units serviced by the U.S.P.S. \$25.00

COMMERCIAL LOCK (OPTION - #2246)

A private access commercial lock with two (2) keys is available as an option for #2240 and #2245 upon request. \$30.00

THUMB LATCH (OPTION - #2288)

A non-locking thumb latch is available as an option upon request. \$10.00